



PROTECT

combined with active carbon



FOR MERCEDES E CLASS (211) A+ (03/02 >)

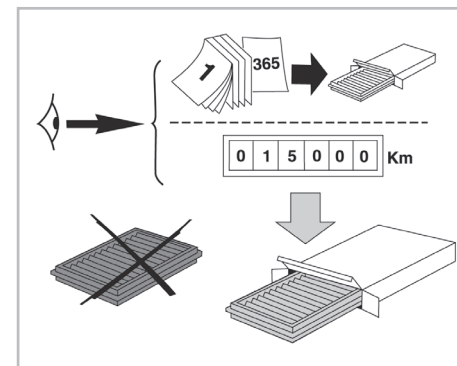
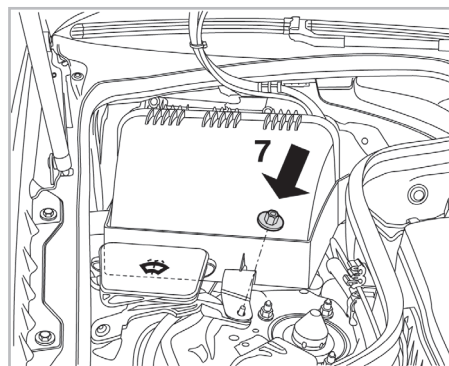
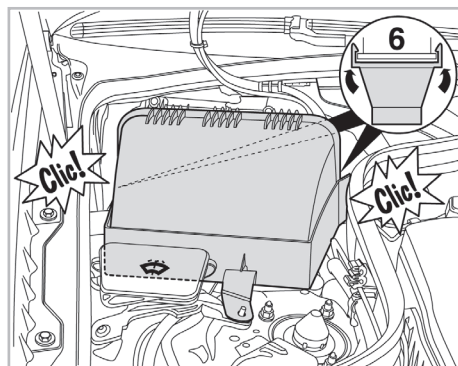
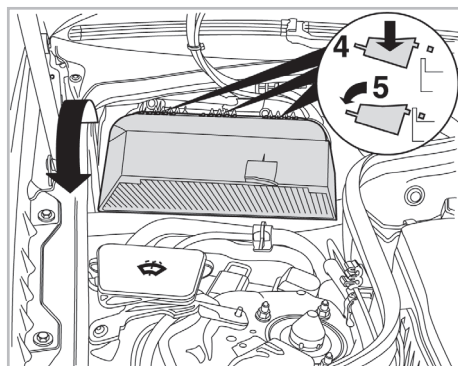
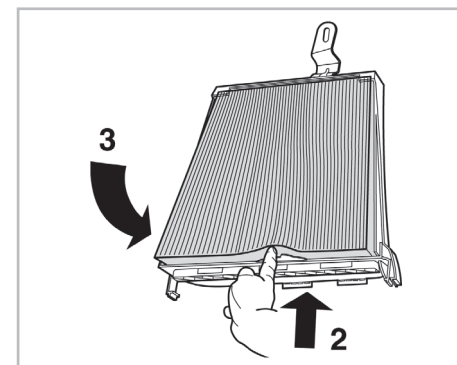
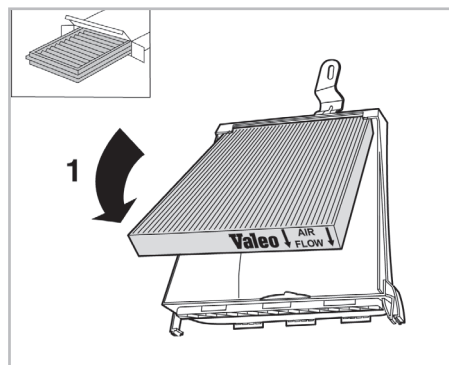
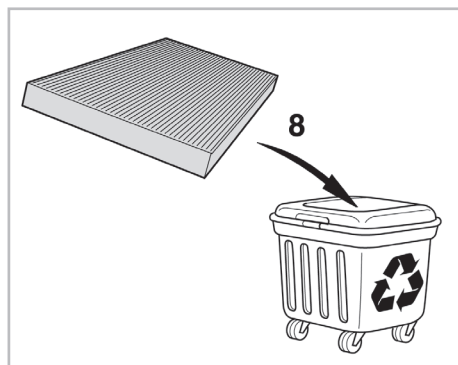
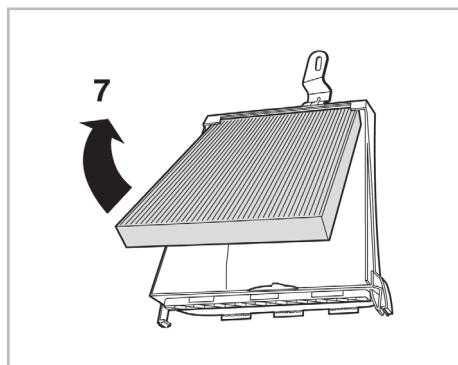
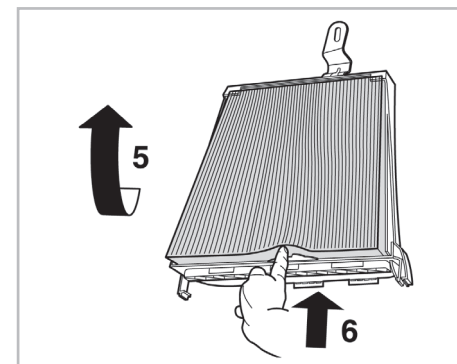
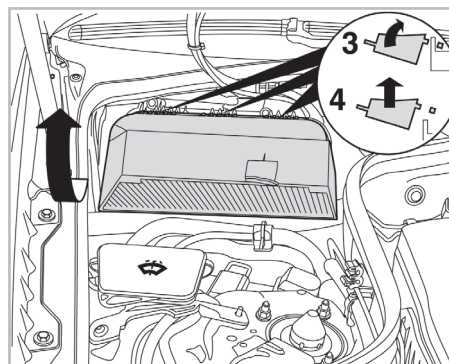
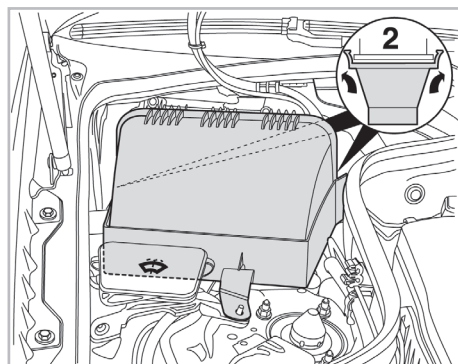
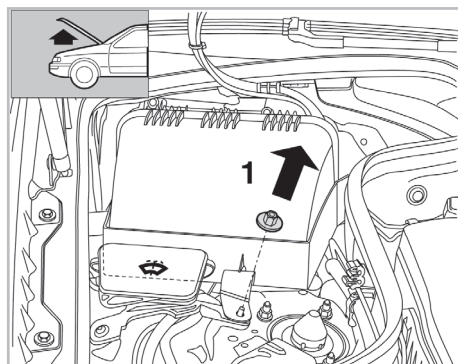


698741

FH321



CA



WANT TO KNOW MORE?



www.valeo-techassist.com

Valeo Service - Société par Actions simplifiée - Capital de 12 900 000€ - 70, rue Playel, 93285 Saint-Denis Cedex - France - B 306 486 408 RCS Bobigny